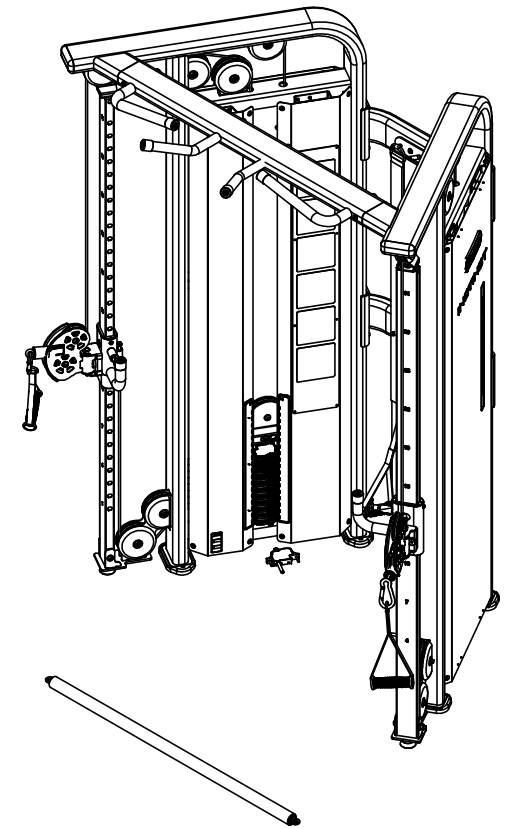
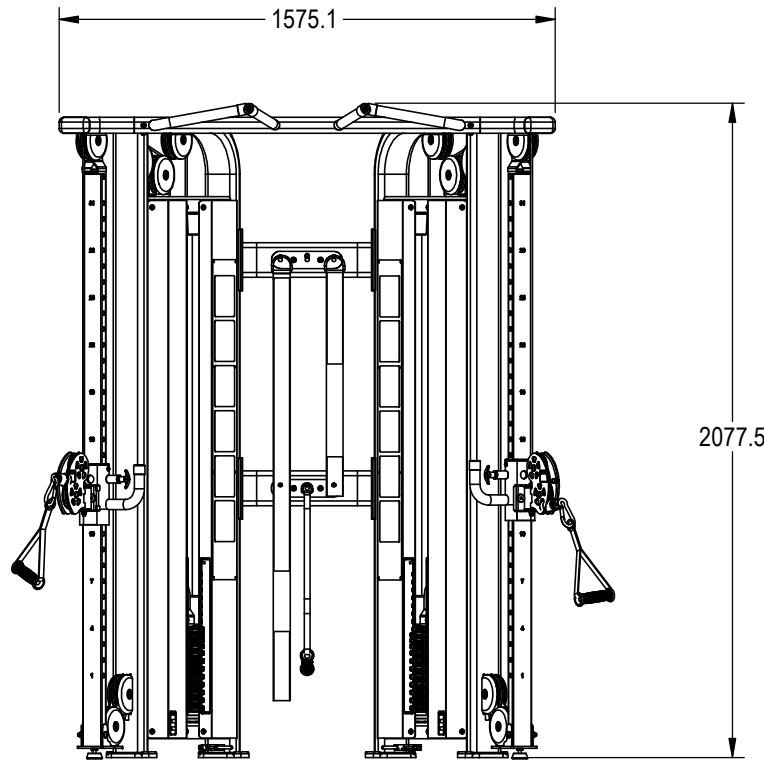
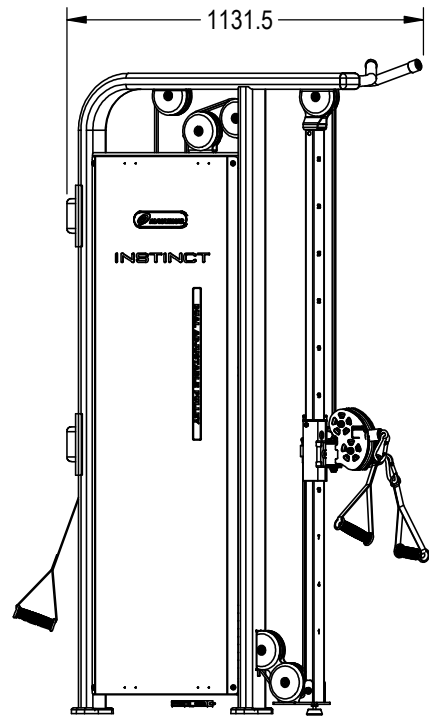
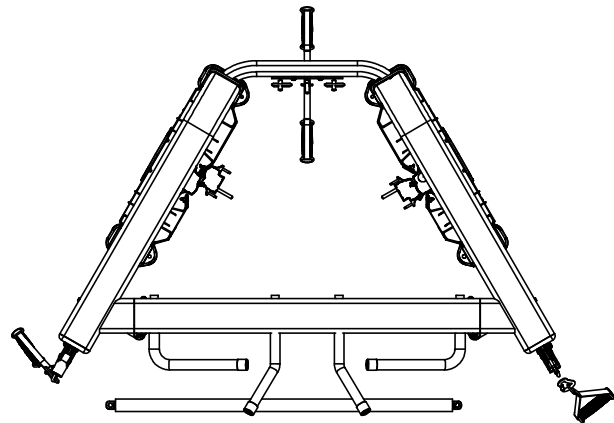


NOTES:

1. ASSEMBLE AND INSPECT PER SOP 620-7918..
2. INSTALL Kg STICKER AND AFFIX Lb STICKER TO INSIDE OF SHROUD WITH TAPE.
3. COLOR DICTATED BY THE SALES ORDER. REFERENCE THE MACHINES BOM FOR COMPONENTS CONTAINING -XX, -00XX AND -XXXXX.
  - a. COLOR: -XX COLOR DESIGNATOR AS SPECIFIED IN SOP 620-8222.
  - b. THE -XX CAN RESULT IN ONE COLOR FOR THE METAL SHROUD AND A DIFFERENT COLOR FOR THE METAL FRAME ALSO WITH A -XX LISTED ON THE BOM.
  - c. THE -00XX IS THE COLOR DESIGNATOR FOR UPHOLSTERY.
  - d. THE 5TH DESIGNATOR: "X" WITHIN -XXXXX DEFINES THE HEAD STRAP OR CUSTOM PRODUCTS BRAND. THIS IS SPECIFIED ON SALES ORDERS.
  - e. THE -XXXXX IS CREATED BY COMBINING THE -XX, -00XX AND THE 5TH DESIGNATOR.
  - f. ALL X'S SHOULD BE DEFINED ON THE SALES ORDER.

REVISIONS HISTORY				
REV.	DATE	DESCRIPTION	ECO	BY
A	8/24/2016	INITIAL RELEASE	15468	AM



**DOCUMENT STATUS:**

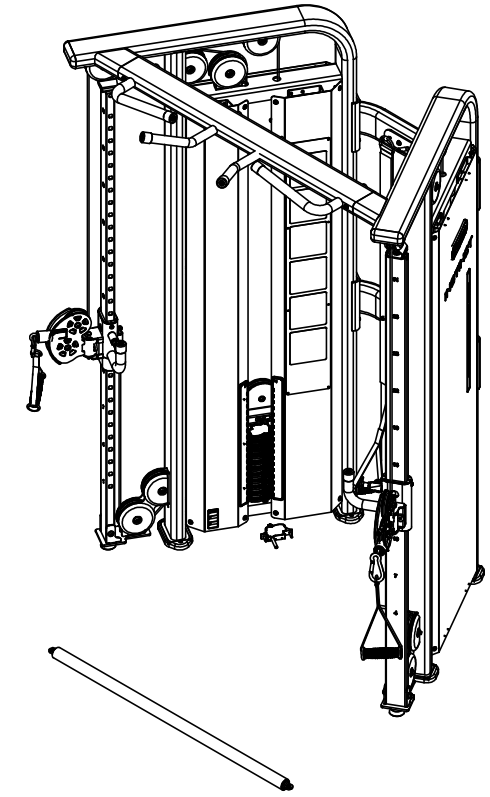
NOTICE OF PROPRIETARY INFORMATION  
THIS DOCUMENT SHALL NOT BE REPRODUCED NOR SHALL THE INFORMATION CONTAINED HEREIN BE USED BY OR DISCLOSED TO OTHER EXCEPT AS EXPRESSLY AUTHORIZED BY CORE HEALTH & FITNESS, LLC.

CLASS OF WORK	UNLESS OTHERWISE SPECIFIED DIMS ARE IN mm. TOLERANCES FOR MEASURE OF LENGTH ARE:							ANGLES = ±2°		
	0.5 to 3	> 3 to 6	> 6 to 30	> 30 to 120	> 120 to 400	> 400 to 1000	> 1000 to 2000	> 2000		
FINE	±0.05	±0.05	±0.1	±0.15	±0.2	±0.3	±0.5	----		
MEDIUM <b>X</b>	±0.1	±0.1	±0.2	±0.3	±0.5	±0.8	±1.2	±2		
COARSE	±0.2	±0.3	±0.5	±0.8	±1.2	±2	±3	±4		
VERY COARSE	----	±0.5	±1	±1.5	±2.5	±4	±6	±8		

<b>MATERIAL</b> SEE BOM	<b>THIRD ANGLE PROJECTION</b> 	
<b>FINISH</b> N/A	DRAWN	DATE
VENDOR:	INITIAL	DATE
P/N:	U.O.M.	MM

<b>CORE HEALTH &amp; FITNESS, LLC</b> 4400 NE 77th Ave., Suite 300 Vancouver, WA 98662		
CORE PART NO	REV	
<b>NL-D2002-29AAS</b>	<b>A</b>	
TITLE <b>NL,DUAL ADJUSTIBLE PULLEY</b>		
SCALE: 1:33.3	SHEET 1 OF 3	SHEET SIZE: B

9		8			7		6		5		4		3		2		1																																																																																																																																																																																																																																																																																																																																																																																																																								
J	ITEM NO.	PART NUMBER	PartNo	Desc	Default/QTY.	6	ITEM NO.	PART NUMBER	PartNo	Desc	Default/QTY.	3	2	1	I	H	G	F	E	D	C	B	A																																																																																																																																																																																																																																																																																																																																																																																																																		
	1	050-5457	050-5457	Label, S/N, Non-Powered, Primary, Core H&F	1		45	731-2016-002	731-2016-002	CLIP,CARABINEER,CLIP	2													46	731-2016-003	731-2016-003	CLIP,CARABINEER,MAIN BODY	2	47	731-2223	731-2223	VELCRO LOOP WITH ADHESIVE	8	48	731-2224	731-2224	VELCRO HOOK WITH ADHESIVE	8	49	731-2446	731-2446	NUT,3/8-16,JAM	2	50	731-2447	731-2447	FOOT,ADJ,3/8-16	2	51	731-3209	731-3209	ASSY,SWIVEL,HANDLE,MS	2	52	731-3880	731-3880	RING,D,5MM,SMALL	3	53	731-3882	731-3882	HANDLE,STIRRUP,STARTRAC	4	54	731-3884	731-3884	STRAP,GRIP,DOUBLE,LONG	1	55	731-3886	731-3886	RING,D,6MM,LARGE	2	56	731-3887	731-3887	STRAP,BODY	1	57	731-3888	731-3888	VELCRO,LOOP,STRAP,BODY	1	58	731-3889	731-3889	VELCRO,HOOK,STRAP,BODY	1	59	731-3890	731-3890	PAD,STRAP,BODY	1	60	731-3892	731-3892	STRAP,ANKLE	1	61	731-3893	731-3893	VELCRO,LOOP,STRAP,ANKLE	1	62	731-3894	731-3894	VELCRO,HOOK,STRAP,ANKLE	1	63	731-3895	731-3895	PAD,STRAP,ANKLE	1	64	731-3900	731-3900	ASSY,SWIVEL,BAR,DAP	2	65	731-3901	731-3901	GRIP,BAR,LONG,DAP	1	66	731-3902	731-3902	BAR,LONG,DAP	1	67	731-3903	731-3903	RING,RETAINING,INSIDE,30MM	2	68	731-5210	731-5210	CAP,GUIDE ROD, WITH STOP	4	69	731-5692-XX	731-5692-XX	SHROUD,INSIDE,NARROW	1	70	731-5693-XX	731-5693-XX	SHROUD,INSIDE,WIDE	1	71	731-5694-XX	731-5694-XX	SHROUD, INSIDE, NARROW ,RIGHT	1	72	731-5695-XX	731-5693-XX	SHROUD,INSIDE,WIDE	1	73	731-5699-XX	731-5699-XX	SHROUD, OUTSIDE	2	74	731-5711-XX	731-5711-XX	ASSY,DAP,TOWER,RIGHT	1	75	731-5712	731-5712	ADJ,PULLEY,POST,LEFT	1	76	731-5714	731-5714	ADJ,PULLEY,POST,LEFT	1	77	731-5904	731-5904	ASSY, DIP, BAR	1	78	731-5905	731-5905	SCREW,M10 X 1.5,100MM,BHC,HK	2	79	731-5987	731-5987	ASSY,WGT STK,DAP 1	1	80	731-5988	731-5988	ASSY,WGT STK,DAP 1,RGT	1	81	731-7311	731-7311	STICKER,NAUTILUS,DECO,45MMX191MM	2	82	IP-D9302-02-02	731-2220	BRKT,DAP,SHROUD,INSIDE	4	83	IP-D9302-02-03	731-2221	BRKT,DAP,SHROUD,INSIDE	4	84	IP-D9302-02-04	731-2219	BRKT,DAP,SHROUD,INSIDE	4	85	IP-D9302-02-09	731-2222	BRKT,DAP,HOOK N LOOP	4	86	IP-D9302-02-11	731-2218	BRKT,DAP,SHROUD,INSIDE	4	2	730-1230-XX	730-1230-XX	WEIGHT STACK,FRAME,LEFT	1	3	730-0384	730-0384	LOGO, INSTINCT	2	4	730-1254	730-1254	SCREW,M8X1.25,100mm,BHC,SS	2	5	730-3063	730-3063	STICKER,DAP,LNL,LEFT	1	6	730-3065	730-3065	STICKER,DAP,LNL,RH	1	7	730-3067	730-3067	STRAP,GRIP,SMALL	2	8	730-3073	730-3073	ASSY,SWIVEL,PULLEYS,DAP,RT	1	9	730-3078	730-3078	ASSY, MECH, PULLEY, ADJ	1	10	730-3080	730-3080	ASSY,SWIVEL,PULLEYS,DAP,LT	1	11	730-3081	730-3081	ASSY, MECH, PULLEY, ADJ	1	12	730-3084	730-3084	ASSY,CABLE,DAP	2	13	730-3086	730-3086	WEIGHT STACK, GUIDE ROD, D2002	4	14	730-5713	730-5713	MOUNT,BOSS,THREADED,GUIDE TUBE	2	15	730-7219-001	730-7219-001	STICKER, PLACARD, INSTRUCTION, DAP,RH, NAUT.	1	16	730-7219-002	730-7219-002	STICKER, PLACARD, INSTRUCTION, DAP,LH, NAUT.	1	17	731-0021	731-0021	SHOE, 75X147.7	4	18	731-0033	731-0033	NUT, RIVET,M8 X 1.25	20	19	731-0165	731-0165	CAP,PLASTIC,PULLEY,Ø120mm	8	20	731-0209	731-0209	CAP, END, 110 X 50	2	21	731-0335	731-0335	STICKER, MADE IN CHINA, IP	1	22	731-0355	731-0355	WASHER,PLAIN,M8,NARROW	30	23	731-0357	731-0357	WASHER,PLAIN,M12	2	24	731-0359	731-0359	SCREW,M8 X 1.25,25mm,BHC,HK	26	25	731-0363	731-0363	NUT,M10X1.5,NYLOC	16	26	731-0365	731-0365	NUT,M8 X 1.25,NYLOC JAM	2	27	731-0366	731-0366	SCREW,M10 X 1.5,50MM,BHC,HK	2	28	731-0367	731-0367	WASHER,PLAIN,M10	32	29	731-0381	731-0381	HOUSING,LOGO,STARTRAC	2	30	731-0517	731-0517	STICKER, WARNING, BOLT DOWN	2	31	731-0588	731-0588	RETAINING RING,EXT.,1/4" SHAFT	16	32	731-0731	731-0731	ASSY,PULLEY,Ø120MM,CABLE	14	33	731-1778	731-1778	SCREW,M10 X 1.5,55MM,BHC,HK	12	34	731-1868	731-1868	SCREW,M12 X 1.5,25MM,HHC,NP	2	35	731-1893	731-1893	ASSY,WELDMENT,CROSSMEMBER	2	36	731-1914	731-1914	CAP,PLASTIC,PULLEY,CUT	16	37	731-1916	731-1916	HOUSING,PLASTIC,WGT STACK,DAP	4	38	731-1925	731-1925	PLASTIC,COVER,ACCESSORY RACK	7	39	731-1926	731-1926	ASSY,ACCESSORY RACK,DAP	2	40	731-1929	731-1929	STICKER,NAME,DAP	2	41	731-1932

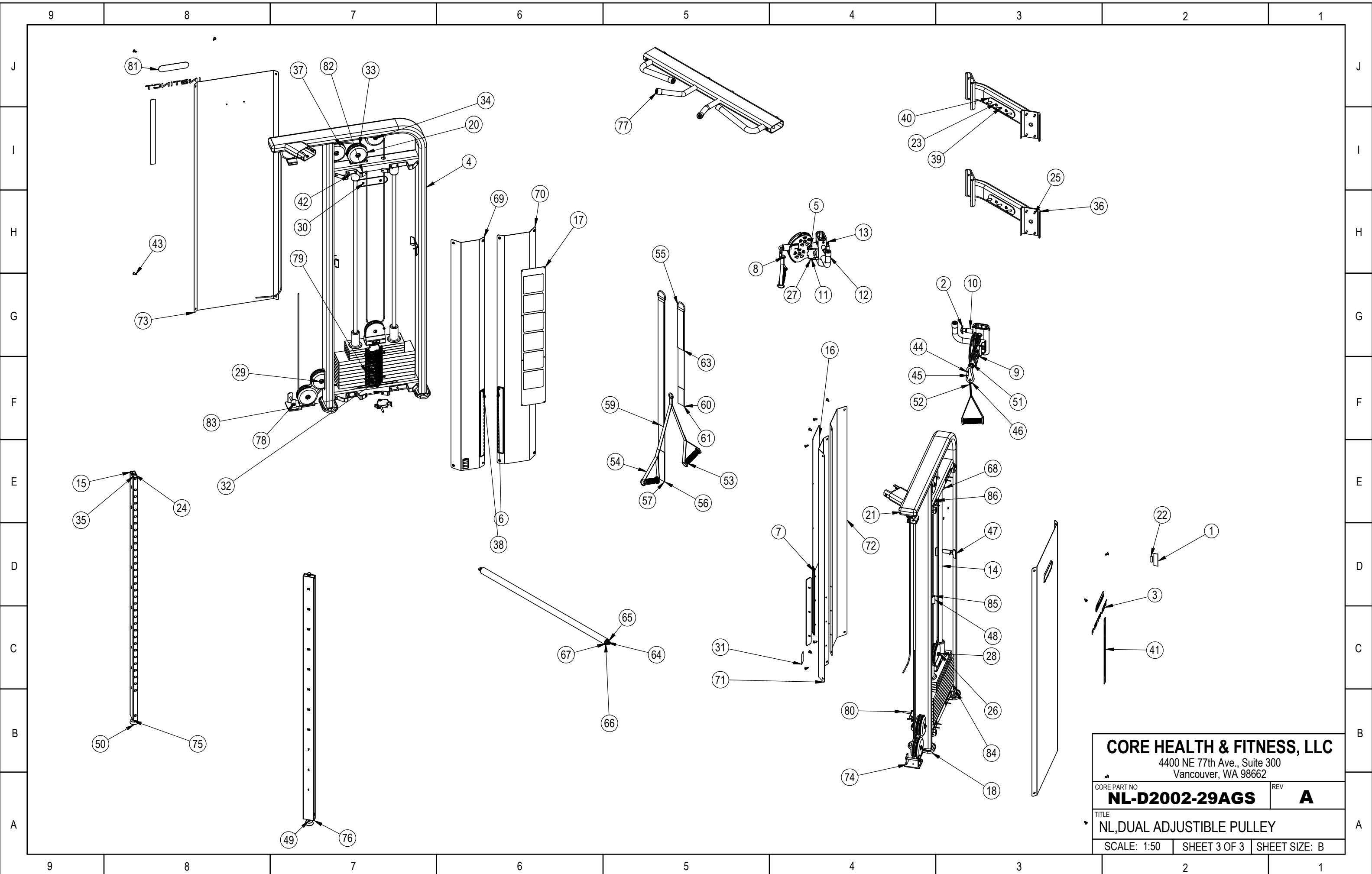


**CORE HEALTH & FITNESS, LLC**  
4400 NE 77th Ave., Suite 300  
Vancouver, WA 98662

CORE PART NO **NL-D2002-29AGS** REV **A**

TITLE **NL,DUAL ADJUSTIBLE PULLEY**

SCALE: 1:33.3 SHEET 2 OF 3 SHEET SIZE: B



<b>CORE HEALTH &amp; FITNESS, LLC</b> 4400 NE 77th Ave., Suite 300 Vancouver, WA 98662		
CORE PART NO	<b>NL-D2002-29AGS</b>	REV <b>A</b>
TITLE <b>NL,DUAL ADJUSTIBLE PULLEY</b>		
SCALE: 1:50	SHEET 3 OF 3	SHEET SIZE: B